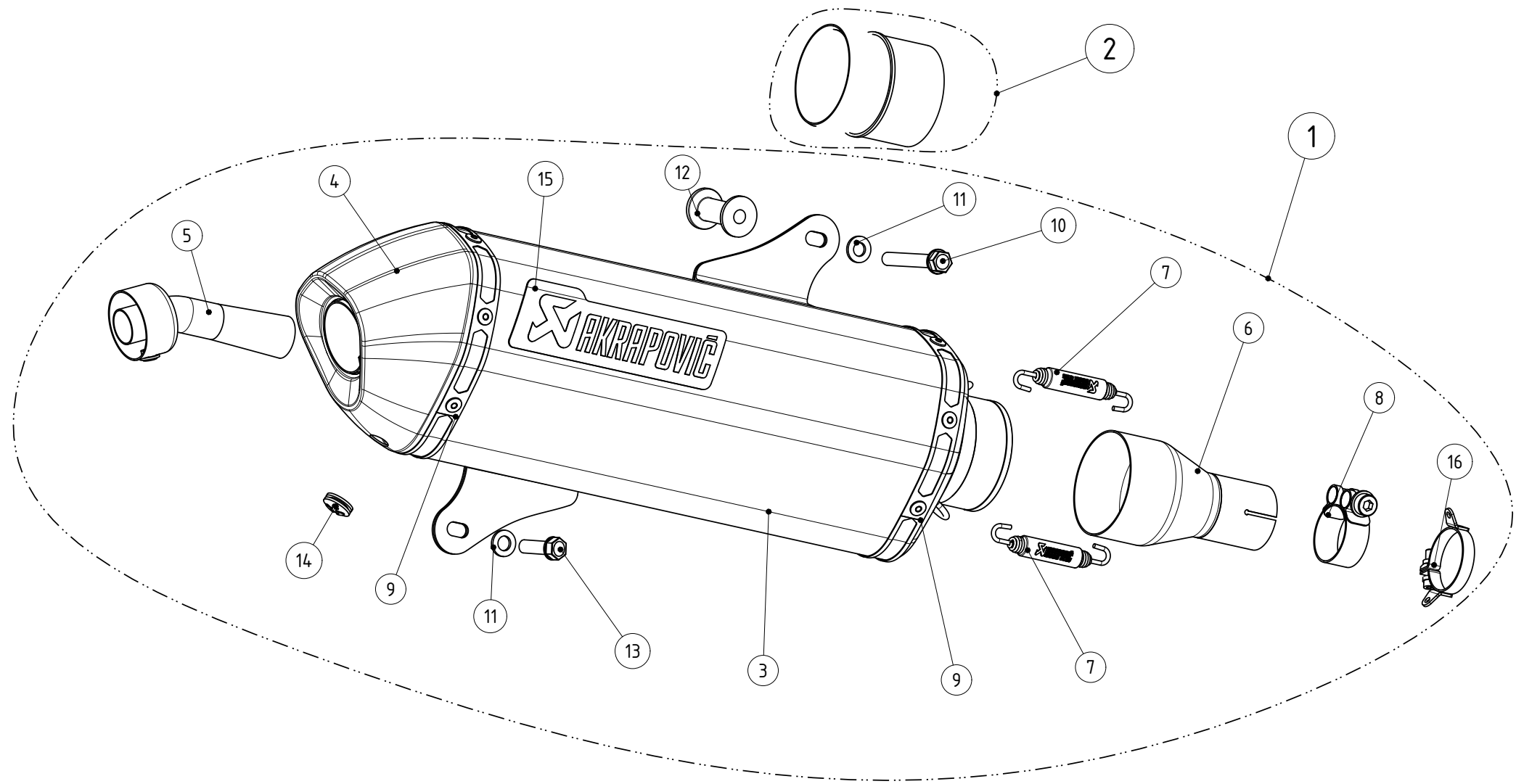


WARNING! EC TYPE APPROVAL IS VALID ONLY WHEN OPTIONAL CATALYTIC CONVERTER IS INSTALLED!



MUFFLER REPAIR KITS	
REPACK	17
SLEEVE	18

No.	SALES CODE	DESCRIPTION	QTY.
1	S-PI3SO3-HRSS	slip on system	1
2	P-KAT-028	catalyst	1
3	M-HR02702SS/6	muffler	1
4	V-EC146	end cap CA	1
5	V-TUV018	insert SS	1
6	L-PI3SO3SS	link pipe SS	1
7	P-S1	spring	2
8	P-R53	clamp ss	1
9	P-TT45	belt TI for SS sleeve	2
10	P-FB12	bolt	1
11	P-DR4	washer SS	2
12	P-DR57	distance ring AL	1
13	P-FB10	bolt	1
14	P-GUV004	rubber insert	1
15	P-HST2AL	sticker	1
16	P-R54R	clamp SS	1
17	P-RPCK58	muffler repack kit	1
18	P-RKS338RSS35	muffler sleeve kit	1